

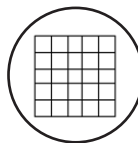
# Enterprise 300

---

Clip-in metal panel with concealed grid.



**ENTERPRISE  
ARCHITECTURAL**  
Metal Ceiling Solutions



CONCEALED GRID



UP TO 1.0 NRC



GROUP 1



RECYCLABLE

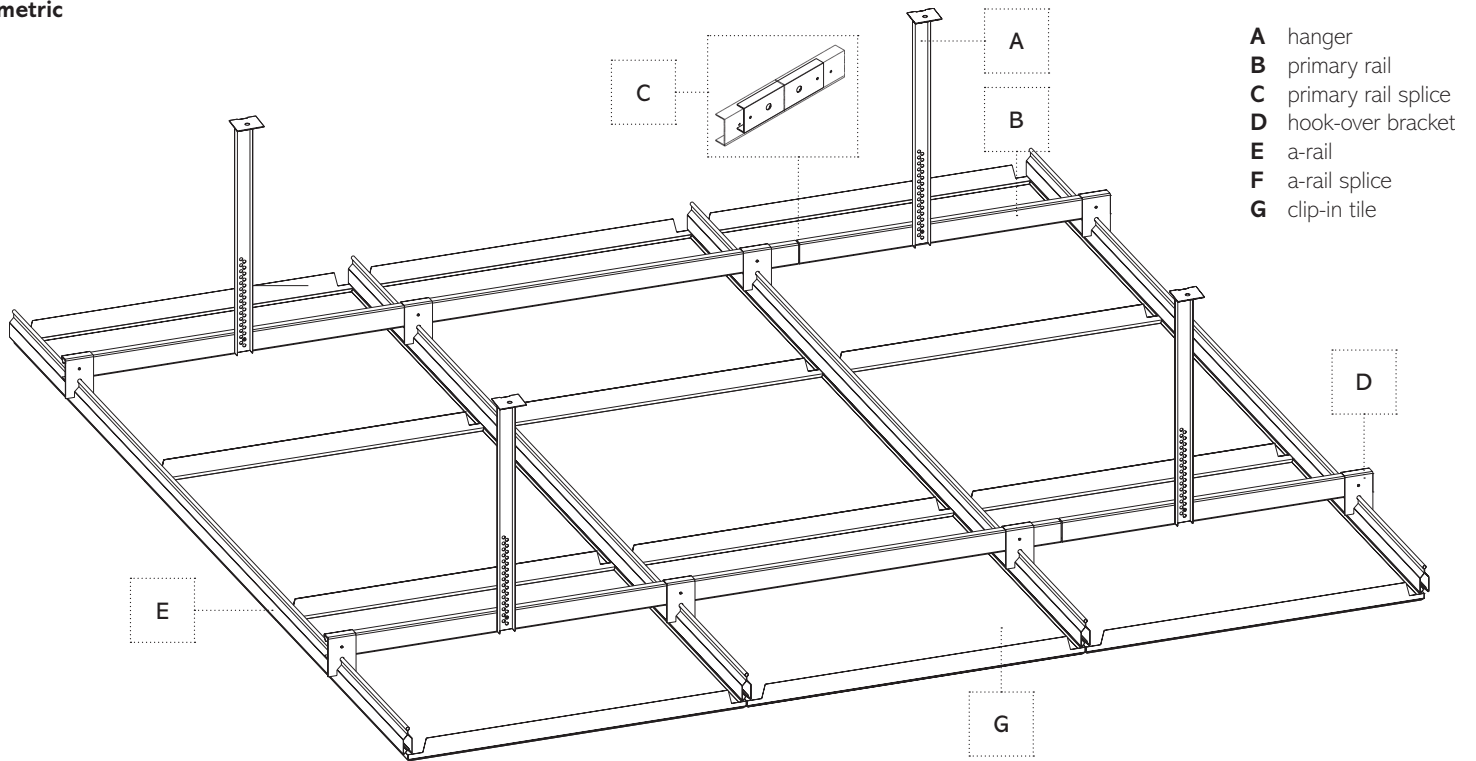


25 YEAR WARRANTY



<b>Product</b>	Enterprise 300
<b>Grid</b>	Clip-in, concealed grid
<b>Size</b>	Length up to 1200mm, width up to 600mm
<b>Material</b>	Steel
<b>Perforation</b>	Compatible with Enterprise perforation patterns, bespoke patterns on request
<b>Finish</b>	Polyester powder-coated (PPC) Timber effect Bespoke finishes on request
<b>Acoustic</b>	Acoustic fleece or acoustic pad. Performance is dependent on pattern open area and infill. Absorption: up to 1.0 NRC
<b>Fire</b>	NCC Group 1 (ISO 9705:2016)
<b>Environment</b>	Global GreenTag GreenRate Level A Low VOC ISO 14001 and ISO 9001 Recyclable and designed for disassembly Product stewardship program
<b>Technical</b>	Services integration supported Seismic: project specific

**Isometric**



**Section**

