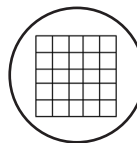


Enterprise 310

Hook-on metal panel with concealed J Bar grid.



**ENTERPRISE
ARCHITECTURAL**
Metal Ceiling Solutions



CONCEALED GRID



UP TO 1.0 NRC



NCC GROUP 1



RECYCLABLE

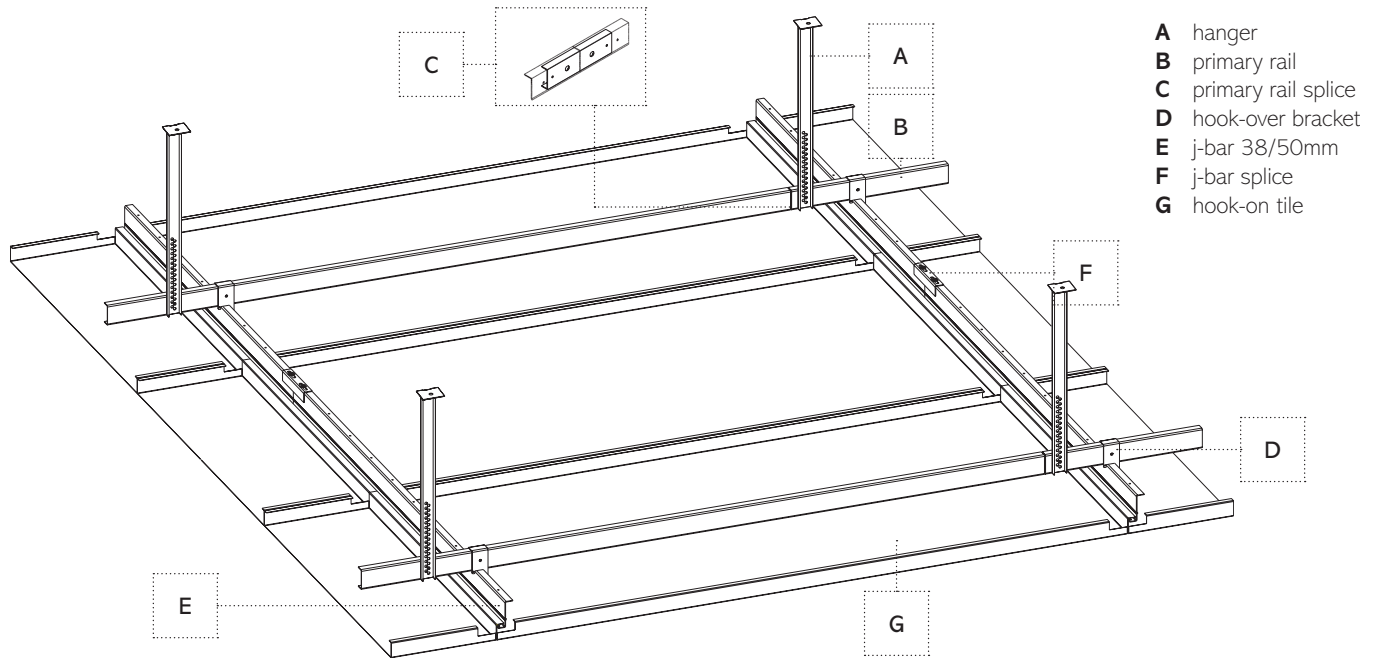


25 YEAR WARRANTY

| | |
|--------------------|--|
| Product | Enterprise 310 |
| Grid | Hook-on J, concealed grid |
| Size | Length up to 3000mm, width up to 1000mm. Note: panels over 1000mm may require stiffeners |
| Material | Steel or Aluminium |
| Perforation | Compatible with Enterprise perforation patterns, bespoke patterns on request |
| Mesh | Compatible with Enterprise mesh, bespoke mesh on request |
| Finish | Polyester powder-coated (PPC) Anodise Timber effect Bespoke finishes on request |
| Acoustic | Acoustic fleece, pad or board. Performance is dependent on pattern open area and infill. Absorption: up to 1.0 NRC Attenuation: up to 37 dB |
| Fire | NCC Group 1 (ISO 9705:2016) |
| Environment | Global GreenTag GreenRate Level A Climate Active certified Carbon Neutral opt-in available Low VOC ISO 14001 and ISO 9001 Recyclable and designed for disassembly Product stewardship program |
| Technical | Services integration supported Seismic: project specific |



Isometric



Section

